



Parallelism
architectural & building supply

PRECISION IN EVERY DETAIL.
PERFORMANCE IN EVERY PROJECT.

WINDOW & DOOR SYSTEMS

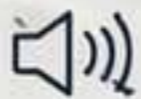
RESIDENTIAL SERIES



COMPLIANT
TO AS2047



ENERGY
EFFICIENT



SUPERIOR SOUND
INSULATION



WEATHER
RESISTANT

RESIDENTIAL SERIES

RS86

SLIDING WINDOW TECHNICAL DETAILS

ENGINEERED TO EXCEL.

The RS86 Sliding Window System delivers strength, smooth operation, and superior protection. Every detail is precision-engineered to ensure long-term performance, energy efficiency, and seamless integration with modern architectural design.



BUILT STRONG
86mm frame depth for maximum structural integrity.



STAY COMFORTABLE
Advanced thermal break technology improves energy efficiency.



LIVE QUIETER
Engineered seals and glazing reduce outside noise.

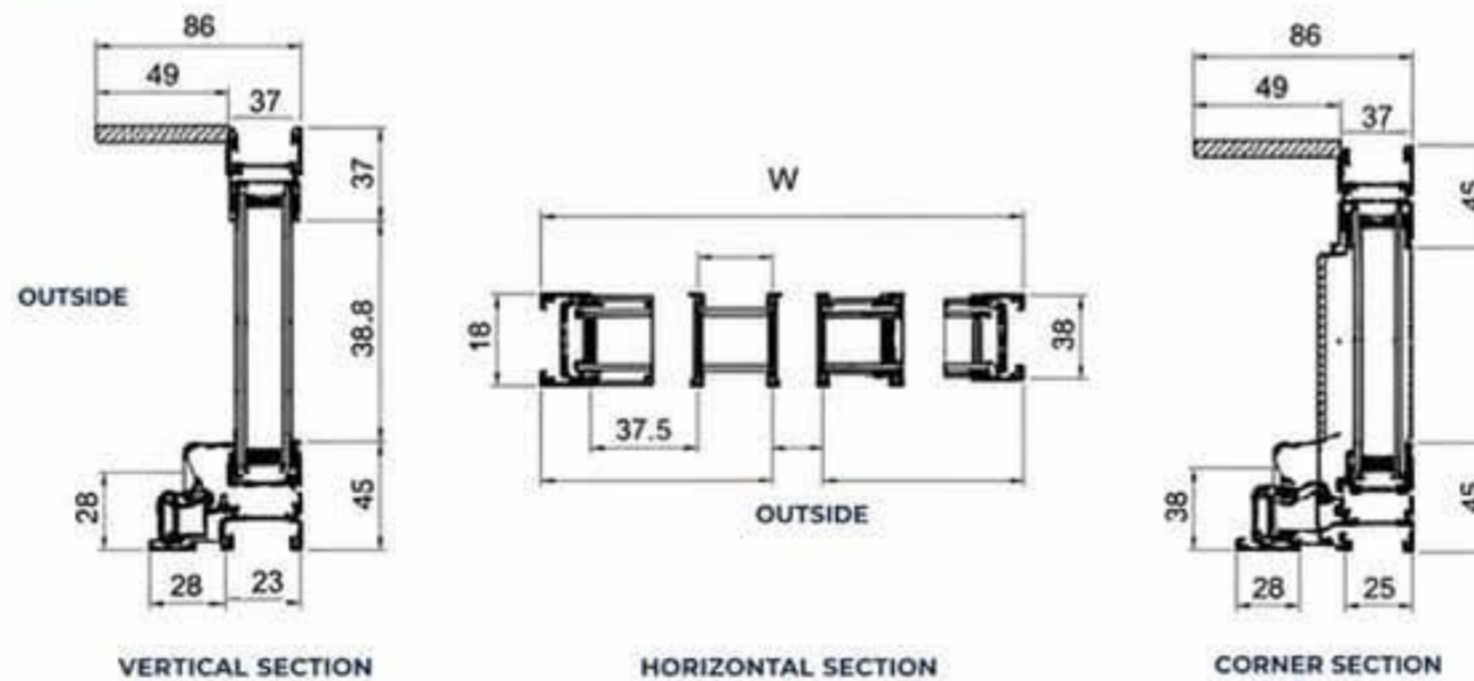


“DETAILS THAT MAKE THE DIFFERENCE. PERFORMANCE THAT LASTS.”

TECHNICAL SPECIFICATIONS

Extrusion Profiles	6063-TS Aluminium 1.6mm Thickness
Frame Depth	86mm
Bottom Frame Height	45mm
Glazing	Single / Double / Triple Up to 32mm IGU
Panel Size (Max)	H: 3000mm W: 2500mm
Panel Size (Min)	H: 600mm W: 500mm
Configuration	2 Panel / 3 Panel / 4 Panel (XX / OXX / OXXO / XXXX)
Screen	Stainless Steel Security Mesh (Optional)
Fixing Method	Timber Reveal

CROSS SECTIONS



GLAZING OPTIONS

Compatible with single, double or triple glazed units up to 32mm IGU.



SINGLE
Up to 10.38mm



DOUBLE
Up to 24mm



TRIPLE
Up to 32mm

PERFORMANCE

Water Tightness	600Pa
Air Infiltration	300Pa
Wind Load Resistance	±3000Pa
Thermal Performance (Uw)	As low as 2.0 W/m ² K*
Acoustic Performance	Up to 38dB
Hardware Cycle Test	30,000+ Cycles

*Depending on glazing configuration.

HARDWARE FEATURES

Premium stainless steel rollers and a multi-point locking system ensure smooth, secure, and effortless operation.



HEAVY-DUTY ROLLERS
Smooth and quiet sliding with high load capacity.



MULTI-POINT LOCKING
Enhanced security and stable panel compression.



ERGONOMIC HANDLE
Sleek design with positive, comfortable grip.

APPLICATIONS

Perfect for large openings and premium spaces where performance, comfort, and aesthetics matter.



LUXURY HOMES



APARTMENTS & HIGH-RISES



RESORTS & RETREATS



COMMERCIAL DEVELOPMENTS

ABOUT PARALLELISM

PRECISION IN EVERY DETAIL.

PERFORMANCE IN EVERY PROJECT.

At Parallelism, we partner with builders, architects, and developers to deliver premium window and door systems that combine architectural elegance with engineering excellence.

Our residential series is designed to meet Australian standards, perform in all conditions, and elevate every space they touch.

OUR VALUES



QUALITY

AS2047 compliant systems, built with premium materials.



PERFORMANCE

Thermal efficiency, water resistance, and acoustic comfort.



PARTNERSHIP

Reliable support, on-time delivery, and solutions that fit.



“
WINDOWS AND DOORS
DO MORE THAN OPEN
A SPACE — THEY DEFINE IT.”



ARCHITECTURAL DESIGN

Sleek, modern profiles that complement contemporary Australian homes.



ENGINEERED TO PERFORM

Tested for strength, weather resistance, and energy efficiency in Australian conditions.



MADE FOR AUSTRALIA

Compliant with AS2047 and WERS, trusted by professionals nationwide.

RESIDENTIAL SERIES

RS50 FIXED WINDOW

CLEAN LINES. MAXIMUM LIGHT.






The RS50 Fixed Window is designed to deliver uninterrupted views, exceptional energy efficiency, and superior weather performance. Glazed directly into the frame for maximum strength and minimal maintenance, it's the ideal solution for spaces where light and outlook matter most.



“
FRAME THE VIEW.
PERFORMANCE YOU CAN TRUST.”

 MAXIMUM VIEWS Large glass areas for natural light and outlook.	 WEATHER PERFORMANCE Glazed into the frame for superior water and air tightness.	 ENERGY EFFICIENT Compatible with high performance double glazing up to 24mm.	 LOW MAINTENANCE Fixed design means long-term durability and reliability.
---	--	---	---

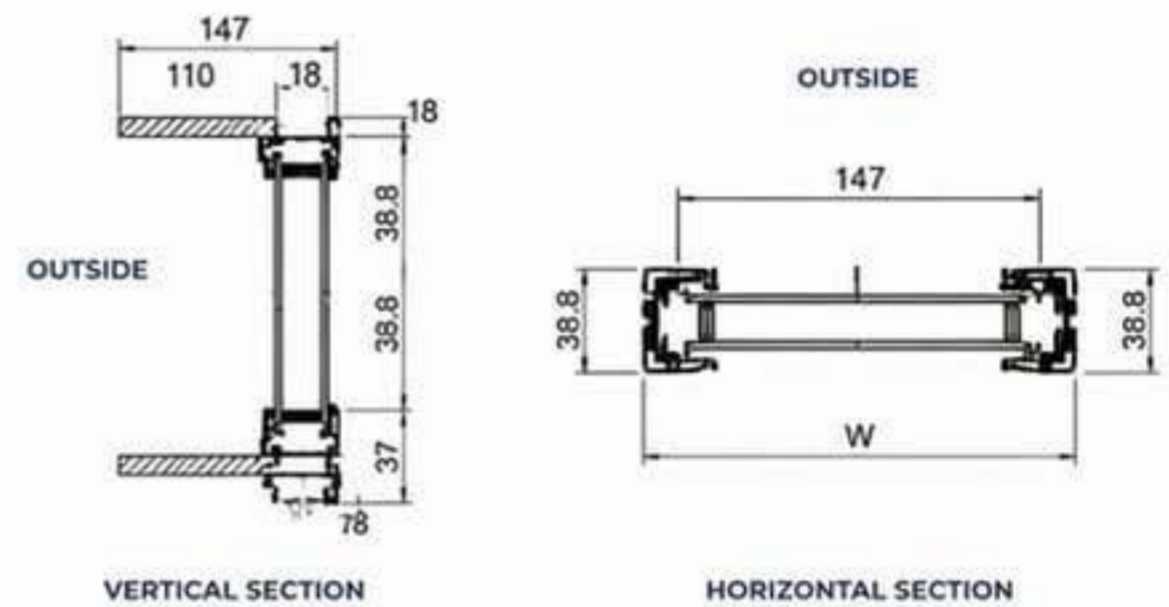
PERFORMANCE

	Standard	AS2047
	Design SLS / ULS	600Pa / 900Pa
	WERS Data (Uw)	5.5 – 3.0
	Sound Insulation	32dB
	SHGC Range	0.25 – 0.5
	Design Water Resistance	4500Pa

TECHNICAL SPECIFICATIONS

Extrusion Profiles	6063-T5 Aluminium 1.4mm Thickness
Frame Depth	50mm
Bottom Frame Height	40mm
Glazing	Single / Double Glazed Up to 24mm IGU
Frame Size (Max)	H: 2400mm W: 2400mm
Frame Size (Min)	H: 450mm W: 450mm
Flyscreen	Stainless Steel Security Mesh (Available)
Fixing Method	Timber Reveal

CROSS SECTION



GLAZING OPTIONS

Single or double glazed units up to 24mm IGU to suit a range of performance needs.



KEY BENEFITS

-  Premium aesthetics with clean, minimal sightlines.
-  Excellent thermal and acoustic performance.
-  Ideal for feature windows, skylights, and architectural highlights.



APPLICATIONS

-  FEATURE WINDOWS
-  STAIRWELLS & HALLWAYS
-  SKYLIGHTS
-  COMMERCIAL BUILDINGS

RESIDENTIAL SERIES

RS50 AWNING WINDOW

Designed for ventilation, privacy and performance. The RS50 Awning Window features a bottom chain winder that allows the sash to open outward from the top, making it ideal for high wall installations, bathrooms, and architectural applications that demand both form and function.



VENTILATION

Allows fresh air in while maintaining privacy.



PRIVACY

Ideal for high walls and obscure glazing.



NATURAL LIGHT

Maximises daylight without compromise.



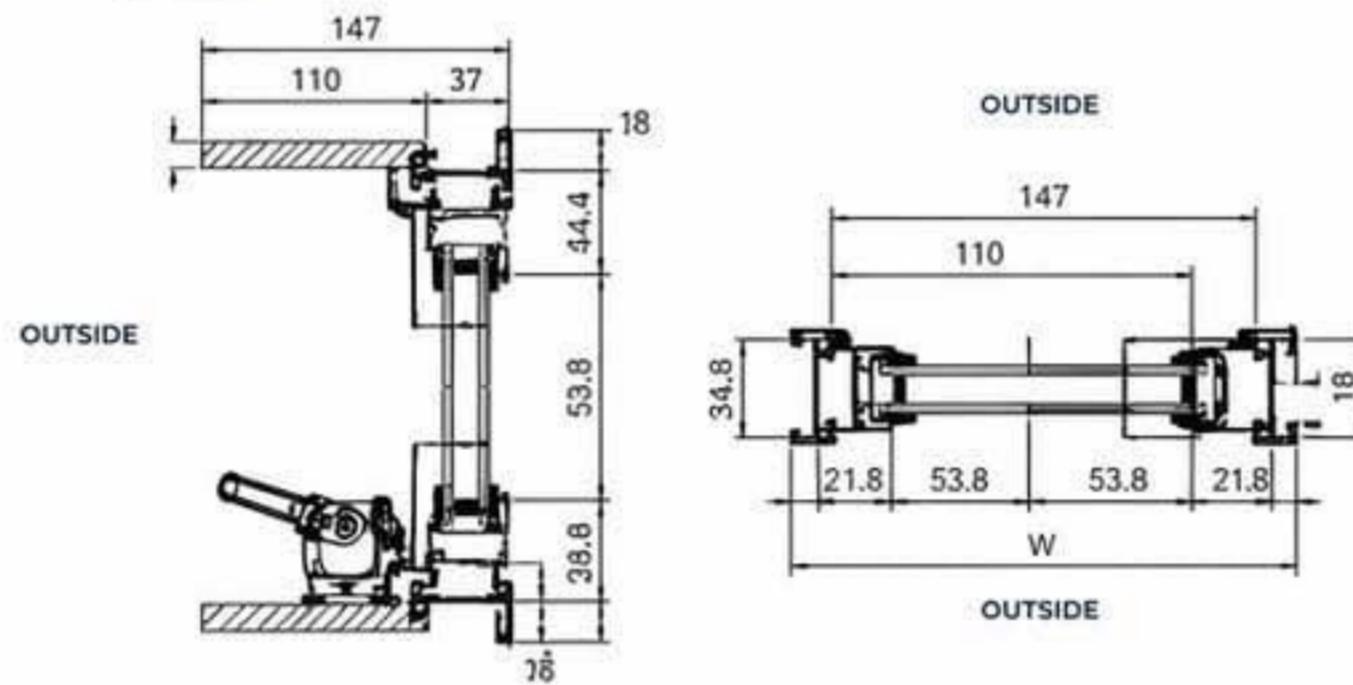
CHAIN WINDER

Smooth operation with sill-mounted control.

PERFORMANCE

	Standard	AS2047
	Design SLS / ULS	600Pa / 900Pa
	WERS Data (Uw)	6.0 - 3.5
	Sound Insulation	32dB
	SHGC Range	0.25 - 0.5
	Design Water Resistance	300Pa

CROSS SECTION



GLAZING

Single / Double Glazed
Up to 24mm IGU



HARDWARE

- Brand: Doric
- Model: DS1 - Chainwinder
- Origin: Australia
- Finish: Black, Silver, White, Custom

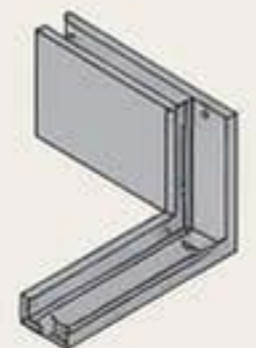


FEATURES

- ✓ Window restriction compliant in association with Kids Don't Fly with an easy chain restrictor switch.
- ✓ Removable chain from sash plate for easy and reduced installation time - Easy Link.
- ✓ Smooth, effortless operation and control for large awning openings.

STRENGTHENING MEASURES

- 1 Makes the whole window stronger.
- 2 Damage to doors and windows will also be reduced during handling.
- 3 Use Aluminum Angle to fix the connection of timber reveal.



RESIDENTIAL SERIES

RS50 AWNING WINDOW

TECHNICAL DETAILS

Engineered for strength, built for performance. The RS50 Awning Window combines robust aluminium profiles with precision hardware to deliver smooth operation, excellent weather resistance, and lasting reliability in every opening.

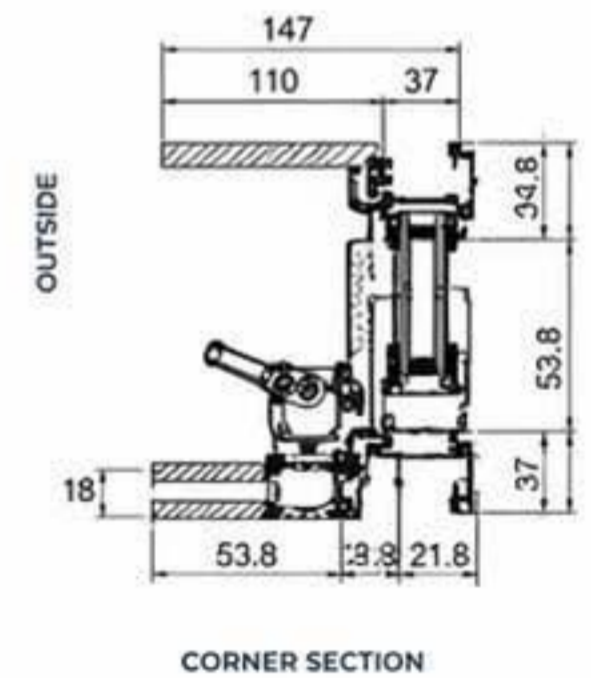
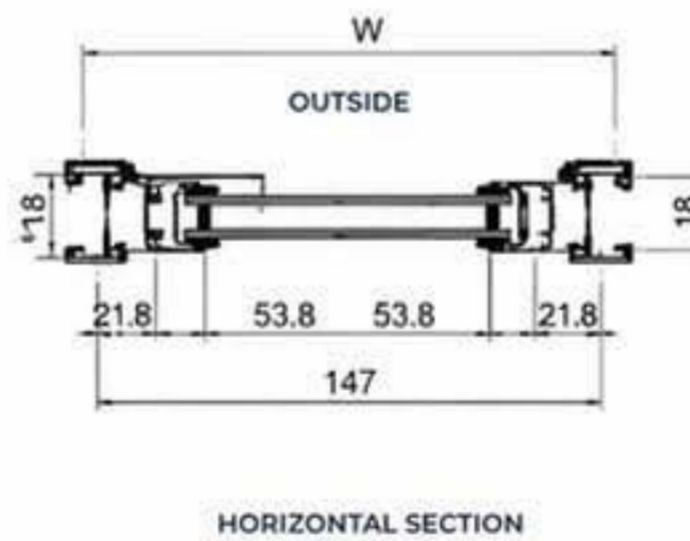
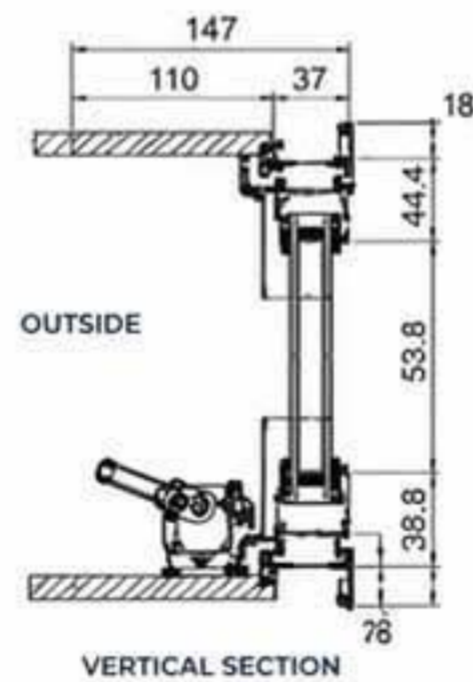


“
DESIGNED FOR VENTILATION.
BUILT FOR LIFE.”

TECHNICAL SPECIFICATIONS

Extrusion Profiles	6063-T5 Aluminium 1.4mm Thickness
Frame Depth	50mm
Bottom Frame Height	40mm
Glazing	Single / Double Glazed Up to 24mm IGU
Panel Size (Max)	H: 1800mm W: 2100mm
Frame Size (Max)	H: 2400mm W: 2400mm
Flyscreen	Stainless Steel Security Mesh (Available)
Fixing Method	Timber Reveal

DETAILED SECTIONS



HARDWARE SELECTION



BRAND Doric
MODEL DS1 - Chainwinder
ORIGIN Australia
FINISH Black, Silver, White, Custom



Easy Link
Removable chain for faster installation.



Smooth Operation
Effortless control for large openings.



Safe by Design
Child-safe restrictor compatible.



Adjustable
Fold-down lever with adjustable spline.

STRENGTHENING MEASURES

- STRONGER CONNECTIONS**
Aluminium angle used to fix the timber reveal for maximum structural integrity.
- REDUCED DAMAGE**
Reinforced handling reduces the risk of damage during transport and installation.
- LONG-TERM RELIABILITY**
Engineered to perform in Australia's toughest conditions.



APPLICATIONS



RESIDENTIAL SERIES




RS86 PREMIUM WINDOW SYSTEM

STRONGER. SMARTER. BUILT FOR MORE.







The RS86 Window System is our high-performance residential solution, designed for larger openings, superior energy efficiency, and enhanced comfort. With a robust 86mm frame depth and advanced thermal break technology, RS86 delivers outstanding strength, acoustic performance, and weather protection — without compromising on design.



“
BIGGER POSSIBILITIES.
BETTER PERFORMANCE.”

 <p>SUPERIOR STRENGTH 86mm frame depth for larger, stronger openings.</p>	 <p>THERMAL EFFICIENCY Advanced thermal break delivers exceptional energy performance.</p>	 <p>ACOUSTIC COMFORT Engineered to reduce outside noise for a quieter home.</p>	 <p>WEATHER PROTECTION High-performance sealing for harsh Australian conditions.</p>	 <p>DESIGN FLEXIBILITY Sleek, modern profiles to suit contemporary architecture.</p>
---	--	---	--	--

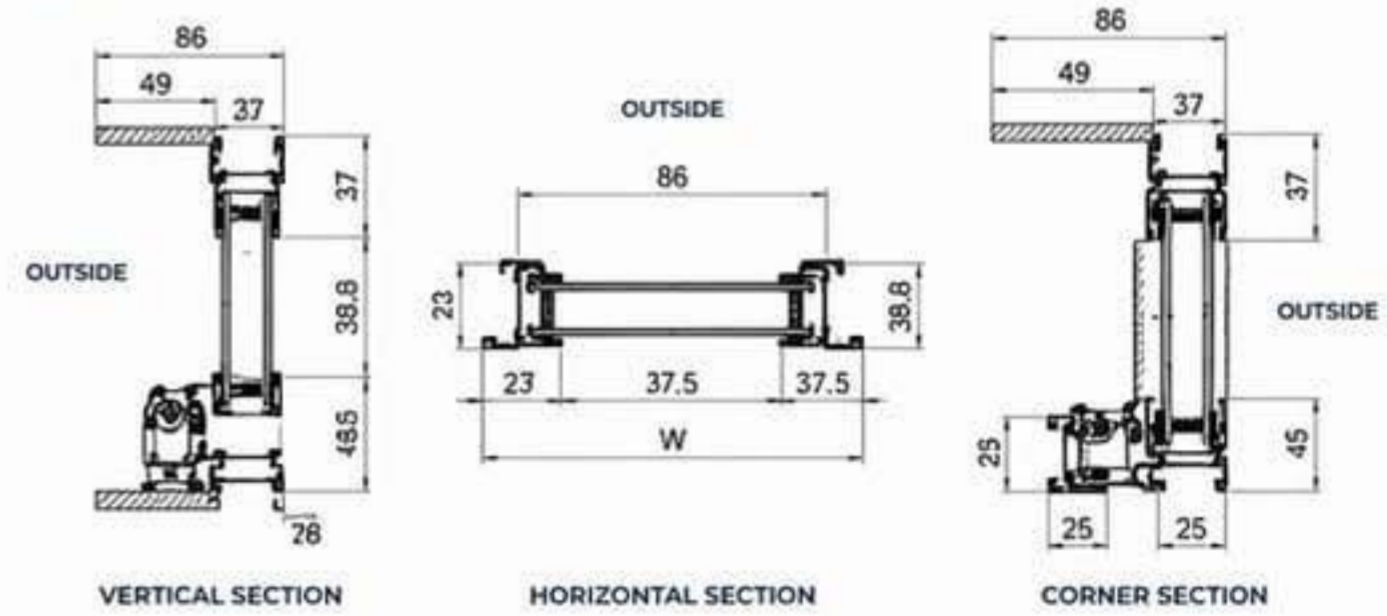
PERFORMANCE

	Standard	AS2047
	Design SLS / ULS	600Pa / 900Pa
	WERS Data (Uw)	4.2 - 2.6
	Sound Insulation	Up to 38dB
	SHGC Range	0.23 - 0.59
	Design Water Resistance	600Pa

TECHNICAL SPECIFICATIONS

Extrusion Profiles	6063-T5 Aluminium 1.6mm Thickness
Frame Depth	86mm
Bottom Frame Height	45mm
Glazing	Single / Double / Triple Up to 32mm IGU
Frame Size (Max)	H: 3000mm W: 2000mm
Frame Size (Min)	H: 450mm W: 450mm
Flyscreen	Stainless Steel Security Mesh (Available)
Fixing Method	Timber Reveal

CROSS SECTIONS



GLAZING OPTIONS

Compatible with single, double or triple glazed units up to 32mm IGU for tailored thermal and acoustic performance.



SINGLE
Up to 10.38mm



DOUBLE
Up to 24mm



TRIPLE
Up to 32mm



KEY BENEFITS

-  Ideal for large windows and premium architectural designs.
-  Enhanced thermal efficiency for lower energy bills.
-  Excellent acoustic performance for peace and quiet.
-  Built to last with premium materials and finishes.



APPLICATIONS

 <p>LUXURY HOMES</p>	 <p>APARTMENTS & HIGH-RISES</p>
 <p>COMMERCIAL SPACES</p>	 <p>ARCHITECTURAL FEATURES</p>

RESIDENTIAL SERIES

RS86 SLIDING WINDOW

EFFORTLESS FLOW. ENDLESS VIEWS.

The RS86 Sliding Window combines a sleek, modern design with heavy-duty performance. With an 86mm frame depth and smooth-glide operation, it's built for expansive openings, seamless indoor-outdoor living, and superior comfort in all conditions.



“ WIDE OPEN POSSIBILITIES.
BUILT TO PERFORM.”



SMOOTH OPERATION

High-performance rollers ensure quiet, effortless sliding.



THERMAL PERFORMANCE

Advanced thermal break technology for year-round comfort.



WEATHER RESISTANT

Engineered seals and drainage keep the elements out.



MAXIMUM VIEWS

Slim sightlines and large panels for uninterrupted views.



SECURE BY DESIGN

Multi-point locking for peace of mind.

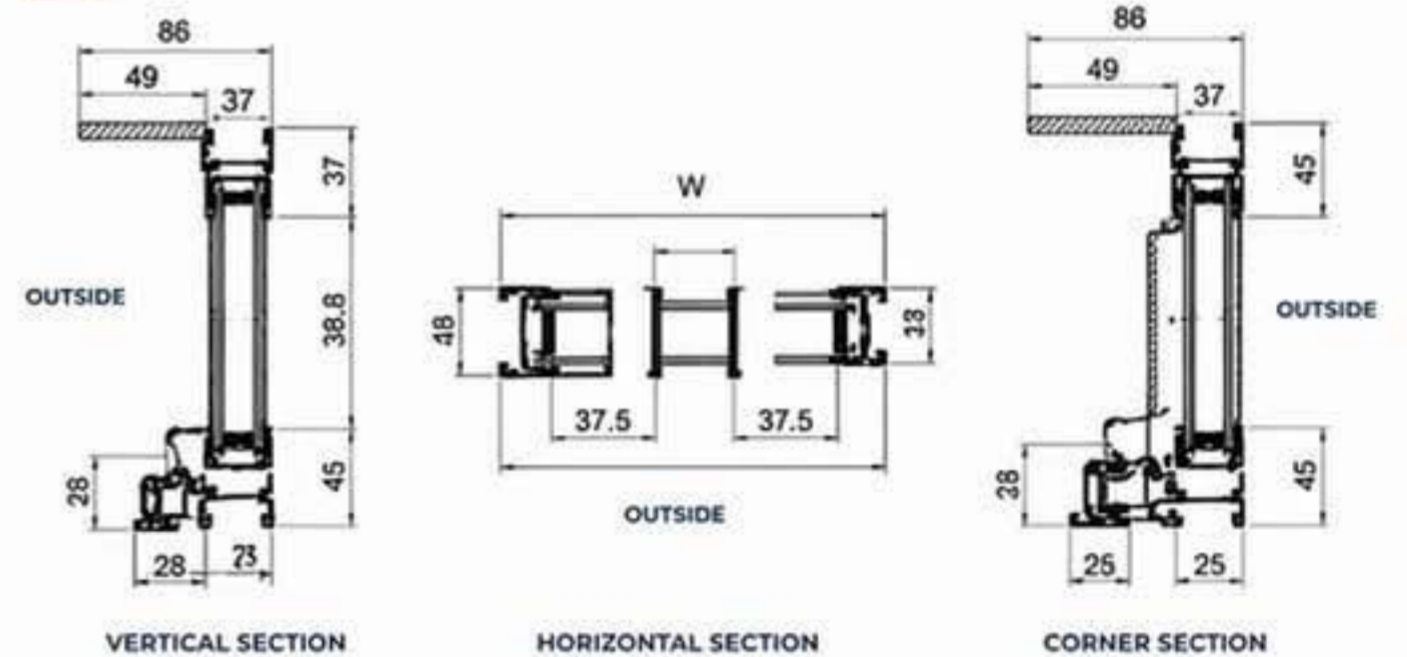
PERFORMANCE

	Standard	AS2047
	Design SLS / ULS	600Pa / 900Pa
	WERS Data (Uw)	3.6 - 2.4
	Sound Insulation	Up to 38dB
	SHGC Range	0.23 - 0.59
	Design Water Resistance	600Pa

TECHNICAL SPECIFICATIONS

Extrusion Profiles	6063-T5 Aluminium 1.6mm Thickness
Frame Depth	86mm
Bottom Frame Height	45mm
Glazing	Single / Double / Triple Up to 32mm IGU
Panel Size (Max)	H: 3000mm W: 2500mm
Panel Size (Min)	H: 600mm W: 500mm
Configuration	2 Panel / 3 Panel / 4 Panel (OX / OX / XO / OXO)
Screen	Stainless Steel Security Mesh (Optional)
Fixing Method	Timber Reveal

CROSS SECTIONS



HARDWARE

Premium stainless steel rollers and multi-point locking system for smooth operation and maximum security.

FINISH OPTIONS



KEY FEATURES

- Heavy-duty rollers for large panels up to 300kg.
- Concealed drainage for a clean, sleek look.
- Compatible with performance glass up to 32mm IGU.
- Flexible configurations to suit any opening.



APPLICATIONS

- INDOOR-OUTDOOR LIVING
- LUXURY HOMES & APARTMENTS
- ENTERTAINING AREAS
- COMMERCIAL DEVELOPMENTS

HARDWARE & ACCESSORIES

**ENGINEERED PERFORMANCE.
REFINED DETAILING.**

Every Parallelism window and door system is built with premium hardware that enhances performance, security, and everyday comfort. Designed to integrate seamlessly with our RS50 and RS86 systems, our hardware ensures smooth operation and long-term reliability.



BUILT TO PERFORM. BUILT TO LAST.



PREMIUM MATERIALS
Stainless steel components for superior strength and corrosion resistance.



TESTED TO STANDARDS
Rigorously tested to meet Australian performance requirements.



SEAMLESS COMPATIBILITY
Designed for RS50 and RS86 systems for perfect integration.



BUILT FOR AUSTRALIA
Engineered to withstand demanding coastal and urban environments.

MULTI-POINT LOCKING SYSTEM

- Enhanced security with multiple locking points.
- Smooth engagement and reliable operation.
- Built for long-term durability.



HEAVY-DUTY ROLLERS

- High load capacity for large panels.
- Silent, smooth operation.
- Precision engineered for effortless glide.



PREMIUM HANDLES

- Ergonomic design for comfortable use.
- Available in matte black, silver, and brushed finishes.
- Architectural styling that elevates every space.



SEALS & GASKETS

- Superior weather resistance.
- Excellent acoustic insulation.
- Long lifespan EPDM materials.



QUALITY IN EVERY DETAIL.

Our carefully selected hardware components work in harmony with our aluminium systems to deliver a superior experience from the first slide to the last lock.



CORROSION RESISTANT



SMOOTH OPERATION



LONG-TERM RELIABILITY



LOW MAINTENANCE

BUILT FOR BEAUTIFUL SPACES

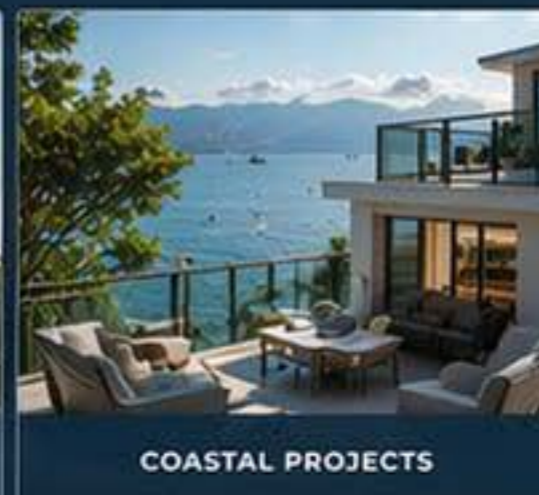
Trusted by builders, architects, and homeowners across Australia for projects that demand quality, comfort, and lasting performance.



RESIDENTIAL HOMES



APARTMENTS & HIGH-RISES



COASTAL PROJECTS



COMMERCIAL PROJECTS

RESIDENTIAL SERIES

RS86

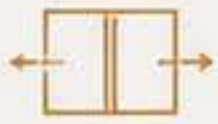
LIFT & SLIDE DOOR SYSTEM

WIDER OPENINGS. SEAMLESS TRANSITIONS.

The RS86 Lift & Slide Door System creates effortless connections between indoor and outdoor spaces. Designed for large openings and heavy panels, it delivers smooth operation, exceptional weather performance, and a clean, architectural look that enhances any project.



“ OPEN UP NEW POSSIBILITIES. BRING THE OUTDOORS IN. ”



LARGE OPENINGS

Supports expansive panels up to 4000mm wide and 350kg.



SMOOTH OPERATION

Precision-engineered rollers for effortless lifting and sliding.



WEATHER PERFORMANCE

Advanced sealing protects against wind, rain, and dust.



SEAMLESS TRANSITIONS

Flush floor tracks create a smooth flow between spaces.



SECURE BY DESIGN

Multi-point locking provides strength and peace of mind.

PERFORMANCE

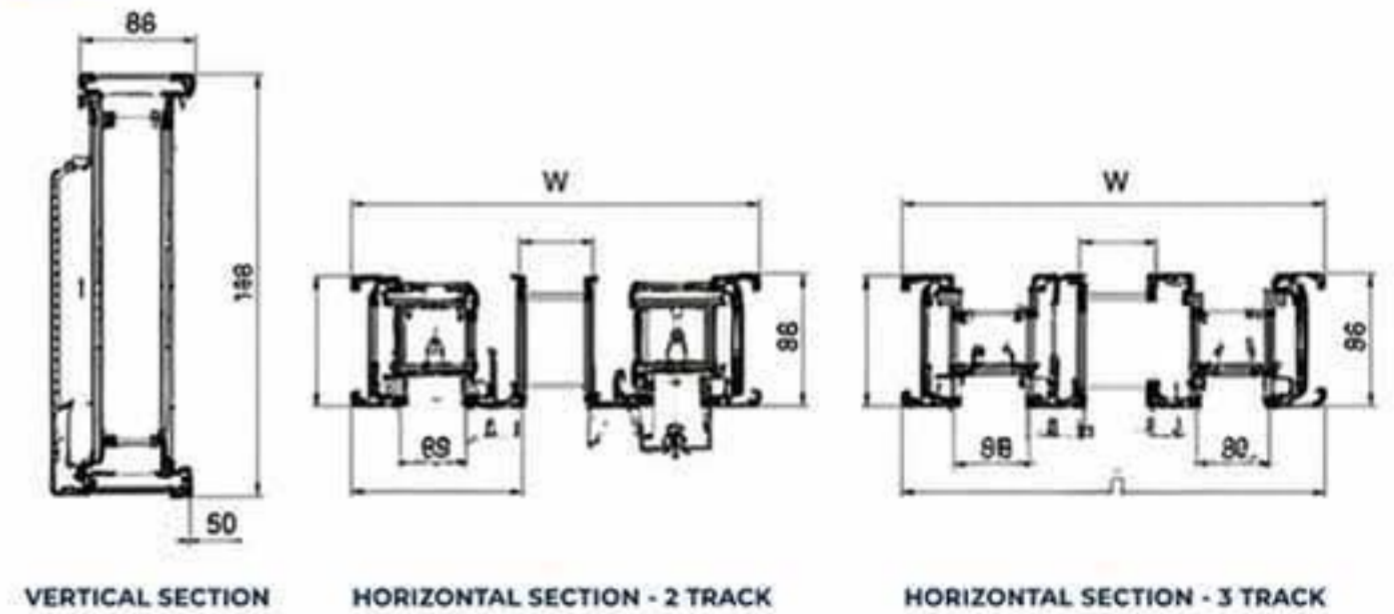
	Water Tightness	600Pa
	Air Infiltration	300Pa
	Wind Load Resistance	±3000Pa
	Thermal Performance (Uw)	As low as 2.0 W/m²K*
	Acoustic Performance	Up to 38dB
	Panel Weight (Max)	350kg
	Panel Height (Max)	3000mm
	Hardware Cycle Test	30,000+ Cycles

*Depending on glazing configuration.

TECHNICAL SPECIFICATIONS

Frame Depth	186mm (2 Track) / 276mm (3 Track)
Sash Depth	86mm
Track Options	2 Track / 3 Track
Glazing	Double / Triple Up to 32mm IGU
Panel Configuration	2 Panel / 3 Panel / 4 Panel
Frame Material	6063-T5 Aluminium
Finish	Powder Coated / Anodised
Thermal Break	Yes
Drainage	Concealed Integrated Drainage
Fixing Method	Timber Reveal / Direct Fix

CROSS SECTIONS



FEATURES

- Lift & slide mechanism for easy, smooth operation.
- Concealed drainage keeps water out.
- Low-profile track for a minimal look.
- Compatible with high-performance glass up to 32mm IGU.



HARDWARE HIGHLIGHTS



ERGONOMIC RECESSED HANDLE
Sleek design for comfortable use and a clean finish.



HEAVY-DUTY ROLLER SYSTEM
High load capacity for large, heavy panels.



MULTI-POINT LOCKING
Enhanced security with smooth engagement.

APPLICATIONS



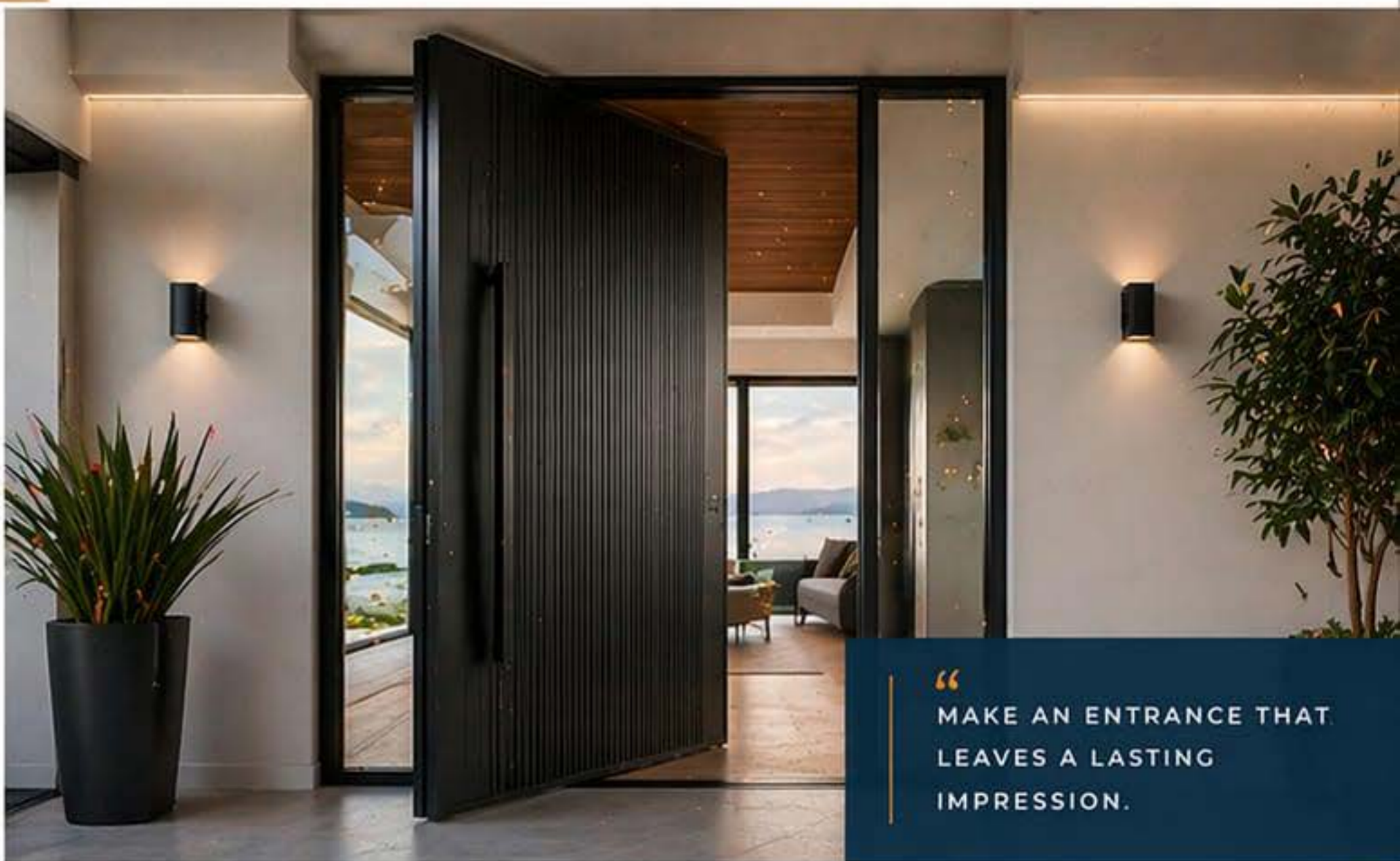
RESIDENTIAL SERIES

RS86

PIVOT & HINGED DOOR SYSTEMS

BOLD ENTRANCES.
REFINED PERFORMANCE.

The RS86 Pivot & Hinged Door Systems are engineered for architectural impact and long-term reliability. Whether creating a striking pivot entrance or a versatile hinged door solution, RS86 delivers exceptional strength, smooth operation, and premium finishes that elevate every space.



“MAKE AN ENTRANCE THAT LEAVES A LASTING IMPRESSION.”



ARCHITECTURAL IMPACT

Pivot doors create dramatic entrances with clean sightlines.



HEAVY-DUTY STRENGTH

Built to handle large, heavy panels up to 500kg with ease.



SMOOTH OPERATION

Precision pivot and hinge hardware for effortless movement.



WEATHER RESISTANT

Advanced sealing protects against wind, rain, and dust.



SECURE BY DESIGN

Multi-point locking and heavy-duty hardware for total peace of mind.

PERFORMANCE

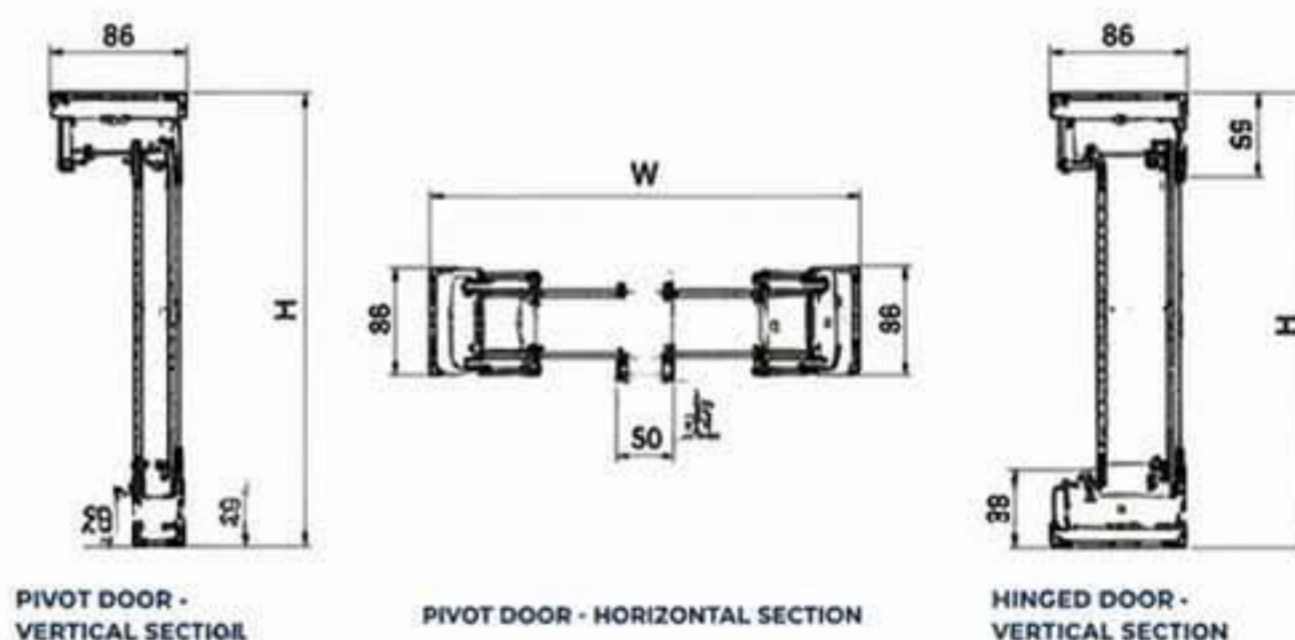
	Water Tightness	600Pa
	Air Infiltration	300Pa
	Wind Load Resistance	±3000Pa
	Thermal Performance (Uw)	As low as 2.0 W/m²K*
	Acoustic Performance	Up to 38dB
	Door Panel Weight (Max)	500kg
	Door Height (Max)	3000mm
	Hardware Cycle Test	50,000+ Cycles

*Depending on configuration.

TECHNICAL SPECIFICATIONS

Frame Depth	86mm
Door Thickness	50mm - 86mm
Pivot Door Weight (Max)	500kg
Hinged Door Weight (Max)	180kg
Glazing	Double / Triple Glazed Up to 32mm IGU
Seal System	Double EPDM Seals
Thermal Break	Yes
Frame Material	6065-TS Aluminium
Finish	Powder Coated / Anodised
Configuration	Pivot / Hinged / Inward / Outward
Fixing Method	Face Fix / Reveal Fix

CROSS SECTIONS



DOOR OPTIONS

PIVOT DOORS
Make a bold statement with one or three center or offset pivot operations and performance.



HINGED DOORS



HARDWARE HIGHLIGHTS



PIVOT HARDWARE
Engineered for strength, balance, and smooth rotation.



HEAVY-DUTY HINGES
3D adjustable for perfect alignment and long-term durability.



MULTI-POINT LOCKING
Enhanced security with stainless steel locking components.

APPLICATIONS



COMMERCIAL SERIES

RS100

COMMERCIAL DOOR SYSTEMS

STRENGTH. SECURITY. PERFORMANCE.

Engineered for high-traffic environments, the RS100 Commercial Door Systems deliver exceptional durability, advanced security, and effortless operation. Suitable for retail, hospitality, offices, and public buildings, RS100 combines robust performance with sleek, architectural design.



“BUILT TO HANDLE EVERYDAY DEMANDS. DESIGNED TO IMPRESS EVERY TIME.”



COMMERCIAL GRADE

Built for continuous use in demanding applications.



ENHANCED SECURITY

Multi-point locking and robust frames for peace of mind.



HEAVY DUTY

Supports large, heavy panels up to 500kg.



SUPERIOR COMFORT

Excellent acoustic and thermal performance.



ARCHITECTURAL DESIGN

Clean lines and premium finishes for a professional look.

PERFORMANCE

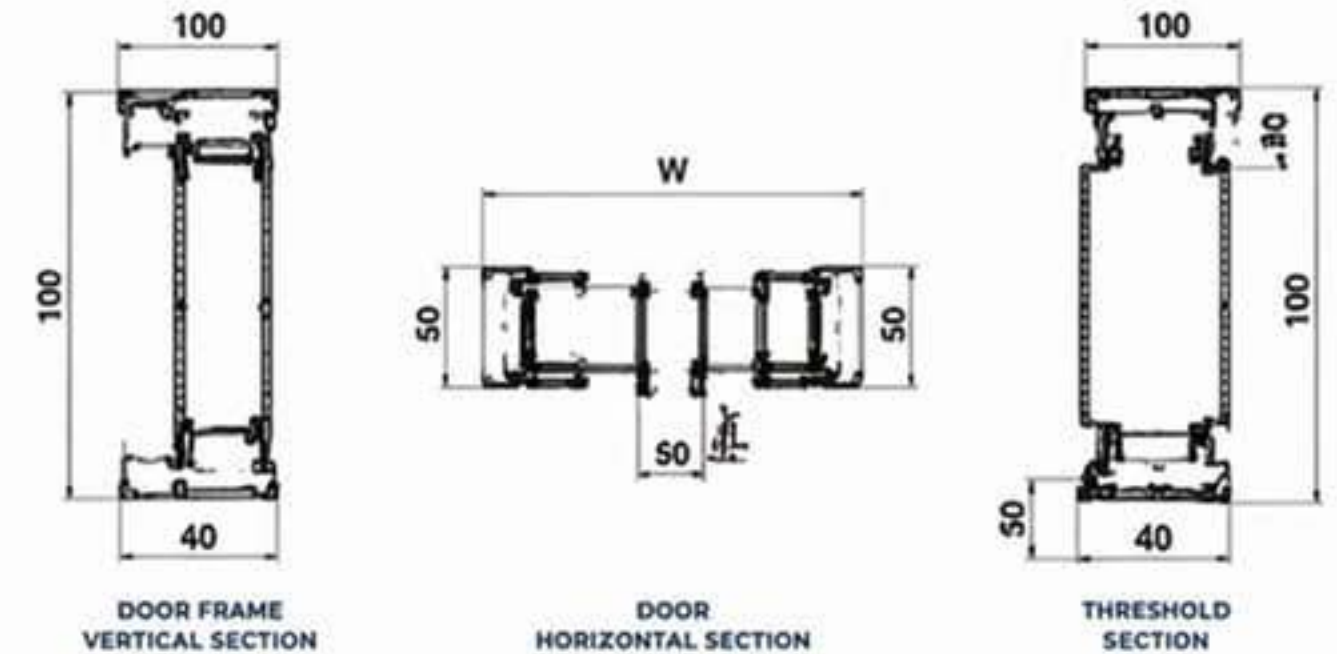
	Water Tightness	600Pa
	Air Infiltration	300Pa
	Wind Load Resistance	±4000Pa
	Thermal Performance (Uw)	As low as 2.0 W/m ² K*
	Acoustic Performance	Up to 40dB
	Door Panel Weight (Max)	500kg
	Door Height (Max)	3000mm
	Hardware Cycle Test	100,000+ Cycles

*Depending on configuration.

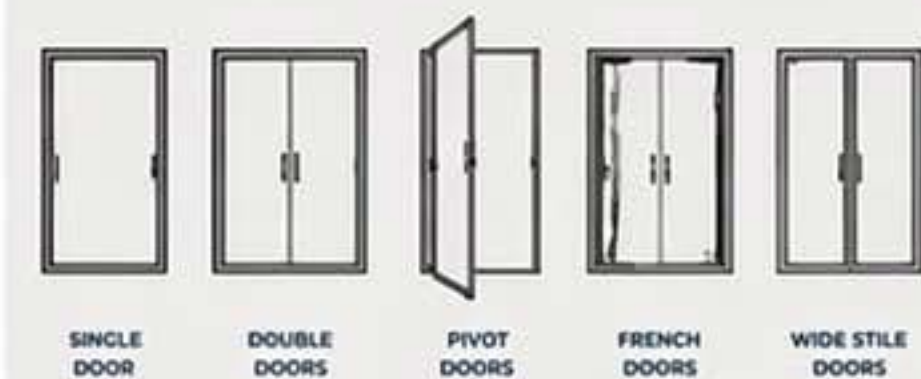
TECHNICAL SPECIFICATIONS

Frame Depth	100mm
Door Thickness	50mm - 100mm
Glass Thickness	Double / Triple Glazed Up to 52mm IGU
Locking System	Multi-point Locking
Seal System	Double EPDM Seals
Thermal Break	Yes
Frame Material	6065-T5 Aluminium
Finish	Powder Coated / Anodised
Configuration	Single / Double / Pivot / French
Threshold Options	Low / Standard / Heavy Duty

CROSS SECTIONS



CONFIGURATION OPTIONS



PREMIUM HARDWARE



MULTI-POINT LOCK
Maximum security with smooth operation.

HEAVY-DUTY HINGES
Built to last through thousands of cycles.

ARCHITECTURAL HANDLES
Ergonomic design with premium finishes.

STAINLESS STEEL THRESHOLD
Durable and corrosion resistant.

APPLICATIONS



FAÇADE SERIES

RS100 CURTAIN WALL SYSTEMS

VISION IN DESIGN. STRENGTH IN EVERY STRUCTURE.

The RS100 Curtain Wall Systems deliver sleek, high-performance façades that define modern architecture. Engineered for strength, energy efficiency, and weathertight integrity, our systems support expansive glass designs while meeting the strictest Australian standards for commercial construction.


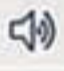


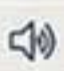





“
DESIGNED FOR ARCHITECTURAL FREEDOM.
ENGINEERED FOR REAL-WORLD PERFORMANCE.”

-  **MAXIMUM DAYLIGHT**
Slim sightlines for bright, open spaces.
-  **ENERGY EFFICIENT**
Thermal breaks and glazing options for year-round comfort.
-  **WEATHER PROTECTION**
Engineered to perform in Australia's toughest conditions.
-  **ARCHITECTURAL FLEXIBILITY**
Multiple configurations for unique design outcomes.

					
SUPERIOR STRENGTH Structurally tested to withstand high wind loads and large spans.	THERMAL PERFORMANCE Thermal break technology reduces heat transfer.	ACOUSTIC COMFORT High-performance glazing reduces external noise.	WEATHERTIGHT Multi-layer sealing system prevents air and water ingress.	DESIGN VERSATILITY Stick, unitised, and semi-unitised options to suit any project.	SUSTAINABLE BY DESIGN Recyclable aluminium and low-impact manufacturing.

PERFORMANCE

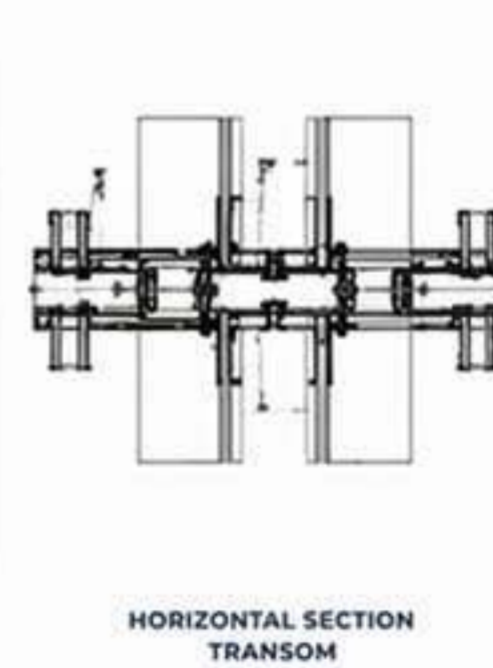
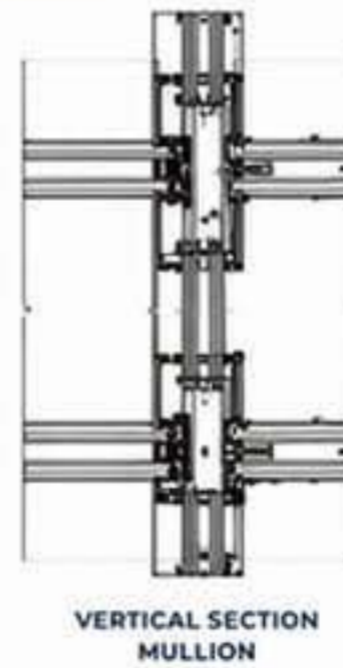
	Water Tightness	900Pa
	Air Infiltration	600Pa
	Wind Load Resistance	±6000Pa
	Thermal Performance (Uw)	As low as 1.6 W/m²K*
	Acoustic Performance	Up to 45dB
	Glass Thickness	6mm - 40mm
	Max Panel Size	Up to 2800mm (W) x 5000mm (H)
	Hardware Cycle Test	100,000+ Cycles

*Depending on configuration and glazing.

TECHNICAL SPECIFICATIONS

System Depth	100mm
Mullion Depth	100mm - 200mm
Transom Depth	50mm - 150mm
Glazing Options	Double / Triple Glazed to 40mm IGU
Thermal Break	Polyamide Barriers
Frame Material	6063-TS Aluminium
Finish	Powder Coated / Anodised
Configuration	Stick / Unitised / Semi-Unitised
Standards	AS 4284, AS 2047, AS/NZS 4666

TYPICAL SECTIONS



SYSTEM CONFIGURATIONS

		
STICK SYSTEM On-site assembled for maximum flexibility.	UNITISED SYSTEM Factory-assembled panels for faster installation.	SEMI-UNITISED SYSTEM The perfect balance of both worlds.

GLAZING OPTIONS

			
CLEAR GLASS Maximum clarity and natural light.	LOW-E GLASS Improved energy efficiency.	TINTED GLASS Reduced glare and enhanced privacy.	SOLAR CONTROL Superior heat rejection and UV protection.

APPLICATIONS

 COMMERCIAL TOWERS	 OFFICE BUILDINGS
 RETAIL COMPLEXES	 PUBLIC BUILDINGS

FAÇADE SERIES

RS100 CURTAIN WALL SYSTEMS

ENGINEERED DETAILS.
PROVEN PERFORMANCE.

The RS100 Curtain Wall System is a high-performance façade solution, precision-engineered for strength, weathertightness, and design flexibility. Every component is tested to meet Australian standards, ensuring long-term reliability and exceptional results on every project.



KEY SYSTEM BENEFITS

- ✓ High structural performance for large spans
- ✓ Excellent thermal and acoustic efficiency
- ✓ Designed for fast, accurate installation
- ✓ Pressure-equalised system for superior weathertightness
- ✓ Compatible with a wide range of glazing and finishes

PERFORMANCE HIGHLIGHTS

- Wind Load Tested up to 16000Pa
- Water Tightness up to 900Pa
- Air Infiltration up to 600Pa
- Acoustic Performance up to 45dB
- Thermal Performance (Uw) as low as 1.6 W/m²K

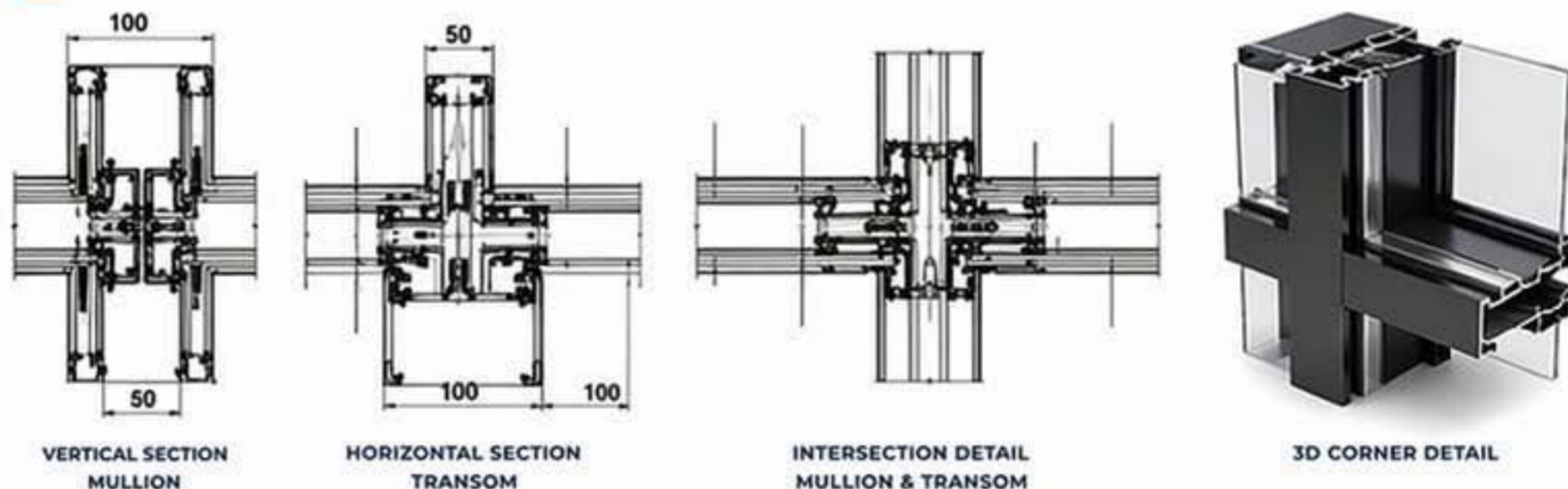
*Depending on glazing configuration.

<p>WEAHERTIGHT DESIGN Pressure-equalised system with multi-layer seals for superior protection.</p>	<p>THERMAL EFFICIENCY Advanced thermal break technology minimises heat transfer and improves comfort.</p>	<p>ACOUSTIC COMFORT High-performance glazing and sealing reduce external noise for quieter interiors.</p>	<p>DESIGN FLEXIBILITY Multiple mullion and transom options to achieve any architectural vision.</p>	<p>EASY INSTALLATION Engineered components and concealed fixings for faster, more accurate installation.</p>	<p>SUSTAINABLE SOLUTION Recyclable aluminium, low-VOC finishes, and long service life for a lower environmental impact.</p>
--	--	--	--	---	--

TECHNICAL SPECIFICATIONS

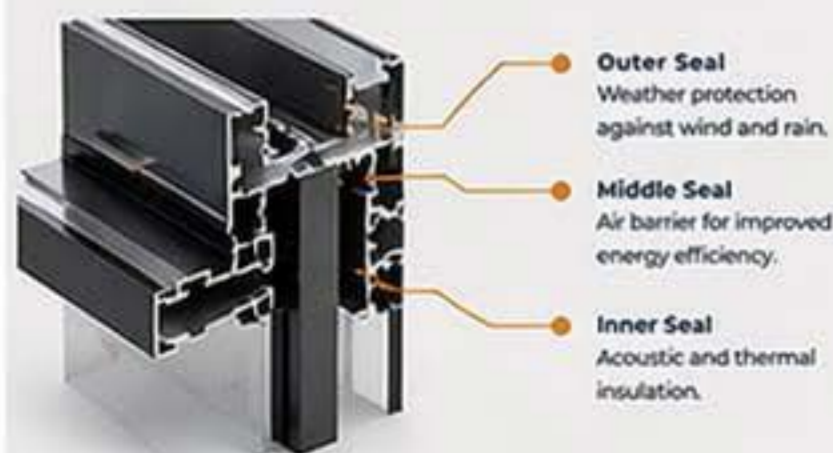
System Depth	100mm
Mullion Depth	100mm - 200mm
Transom Depth	50mm - 150mm
Glazing Thickness	Double / Triple Glazed up to 52mm IGU
Glazing Configuration	Centre Glazed / Structural Glazed / Unitised
Thermal Break	Polyamide Barriers
Frame Material	6063-T5 Aluminium
Finish	Powder Coated / Anodised / PVDF (Fluorocarbon)
Configuration	Stick / Unitised / Semi-Unitised
Standards	AS 4284, AS 2047, AS/NZS 4666

TYPICAL SECTIONS



GASKETING SYSTEM

Multi-layer seals for superior weather and acoustic performance.



GLAZING OPTIONS

Compatible with a wide range of high-performance glass.



SYSTEM CONFIGURATIONS

Flexible solutions to suit every project requirement.



APPLICATIONS

From iconic towers to corporate campuses, the RS100 Curtain Wall System delivers performance, beauty, and lasting value.



LET'S BUILD SOMETHING EXCEPTIONAL.

At Parallelism, we don't just supply window and door systems — we help bring architectural visions to life.

From concept to completion, our team is here to support your project with premium products, expert advice, and dependable service you can trust.



WHY PARTNER WITH PARALLELISM?



PREMIUM QUALITY

Engineered systems built to last.



EXPERT SUPPORT

Technical guidance every step of the way.



RELIABLE DELIVERY

On-time, every time, project-ready.



PROJECT SOLUTIONS

Flexible options for every scale.



FOR ARCHITECTS

High-performance systems that inspire design freedom and meet Australian standards.



FOR BUILDERS

Reliable products and on-time delivery to keep your projects moving forward.



FOR DEVELOPERS

Large-scale solutions with the performance, compliance, and value your developments demand.



FOR HOMEOWNERS

Beautiful, durable windows and doors that elevate everyday living.

GET IN TOUCH

We'd love to hear about your project. Contact our team today for product information, technical support, or a custom quote.



1300 003 003



info@parallelism.com.au



parallelism.com.au



15 Allied Drive, Tullamarine VIC 3043, Australia



RESIDENTIAL



DOORS



COMMERCIAL



FAÇADE SYSTEMS



PARALLELISM
ARCHITECTURAL & BUILDING SUPPLY

BUILT FOR MODERN SPACES.
DESIGNED TO LAST.



AUSTRALIAN OWNED



PREMIUM QUALITY



ENGINEERED PERFORMANCE



TRUSTED PARTNER